

NVR-116E2



Key Features

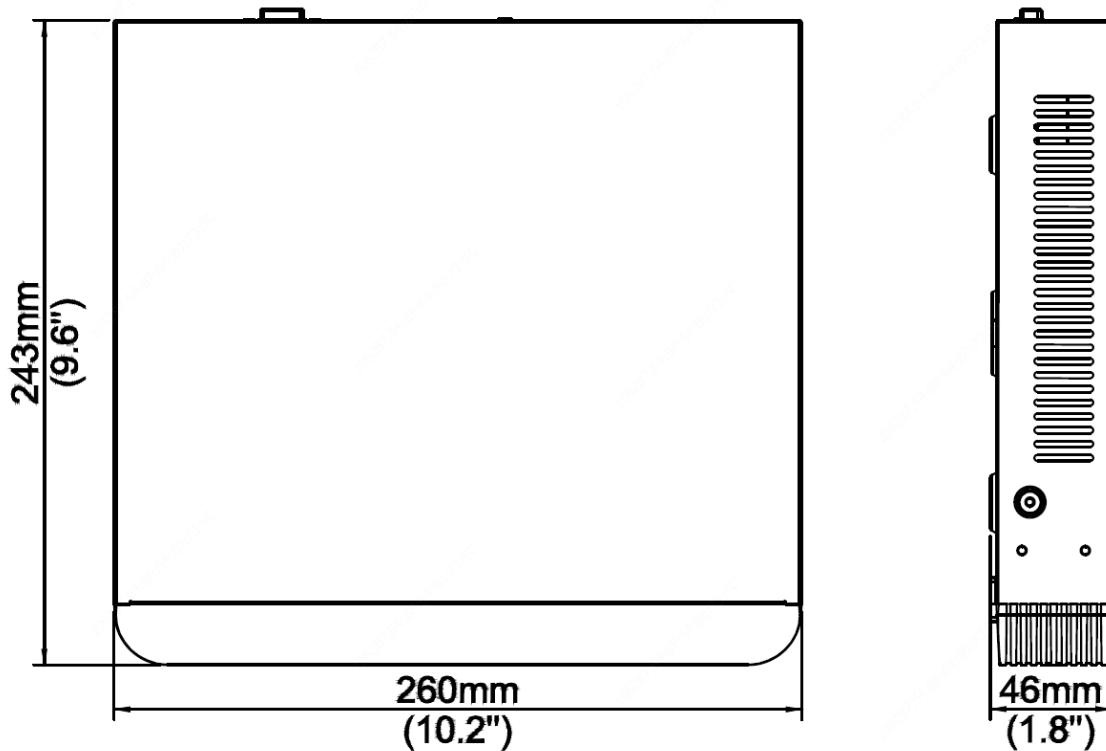
- Support Ultra 265/H.265/H.264 video formats
- 16-channel input
- Up to 8MP resolution recording
- Support 1-ch HDMI, 1-ch VGA
- HDMI and VGA simultaneous output
- 1 SATA HDD up to 6TB
- Support cloud upgrade

Specifications

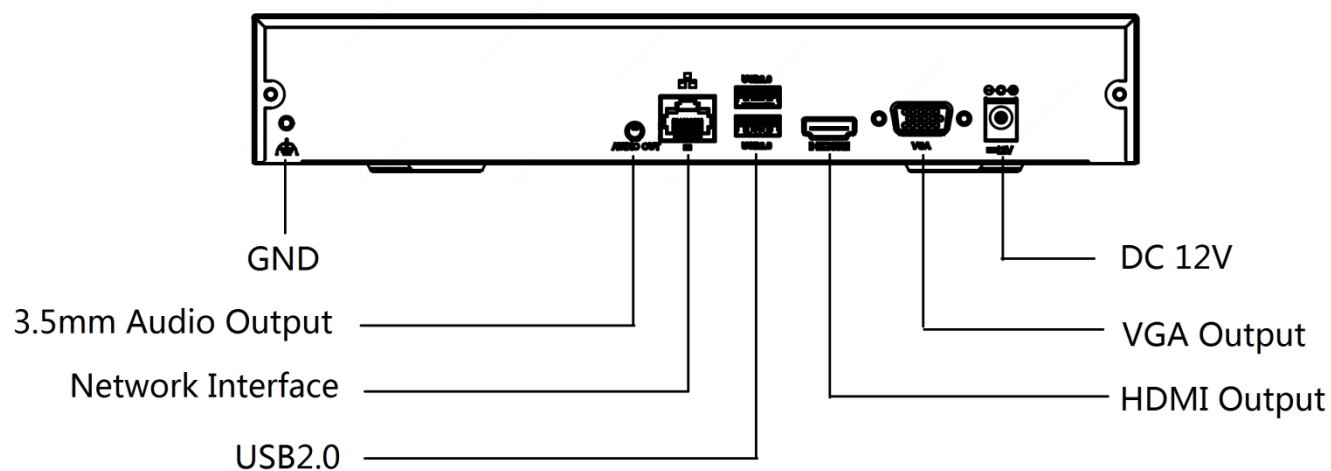
Model	NVR-116E2
Video/Audio Input	
IP Video Input	16-ch
Network	
Incoming Bandwidth	64Mbps
Outgoing Bandwidth	32Mbps
Remote Users	128
Protocols	P2P, UPnP, DHCP
Video/Audio Output	
HDMI/VGA Output	VGA: 1024X768@60,1280X720@60, 1440X900@60, 1280X1024@60,1600X1200@60,1920X1080@50, 1920X1080@60 HDMI: 1024X768@60,1280X720@60, 1440X900@60, 1280X1024@60,1600X1200@60,1920X1080@50, 1920X1080@60, 3840X2160@30
Recording Resolution	8MP/6MP/5MP/4MP/3MP/1080p/960p/720p/D1/2CIF/CIF
Audio Output	1-ch, 3.5mm
Synchronous Playback	16-ch

Corridor Mode Screen	3/4/5/7/9/10/12/16
Decoding	
Decoding format	H.265/H.264
Liveview/Playback	8MP/6MP/5MP/4MP/3MP/1080p/960p/720p/D1/2CIF/CIF
Capability	1 x 8MP@30, 1 x 5MP@30, 2 x 4MP@30, 4*3MP@25, 4 x 1080p@30, 8 x 720p@30, 16 x D1@25
Hard Disk	
SATA	1 SATA interface
Capacity	up to 6TB for each disk
External Interface	
Network Interface	1 RJ45 10M/100M self-adaptive Ethernet Interface
USB Interface	Rear panel: 2 x USB2.0
General	
Power Supply	12V DC Power Consumption: ≤3.2 W (without HDD)
Working Environment	-10°C~+55°C (+14°F~+131°F), Humidity ≤ 90% RH (non-condensing)
Dimensions (W×D×H)	260mm × 243mm × 46mm (10.2" × 9.6" × 1.8")
Weight (without HDD)	≤1kg (2.2lb)

Dimensions



Rear Panel



www.uniview.com/uniarch

©2021 Zhejiang Uniview Technologies Co., Ltd. All rights reserved.

*Product specifications and availability are subject to change without notice.